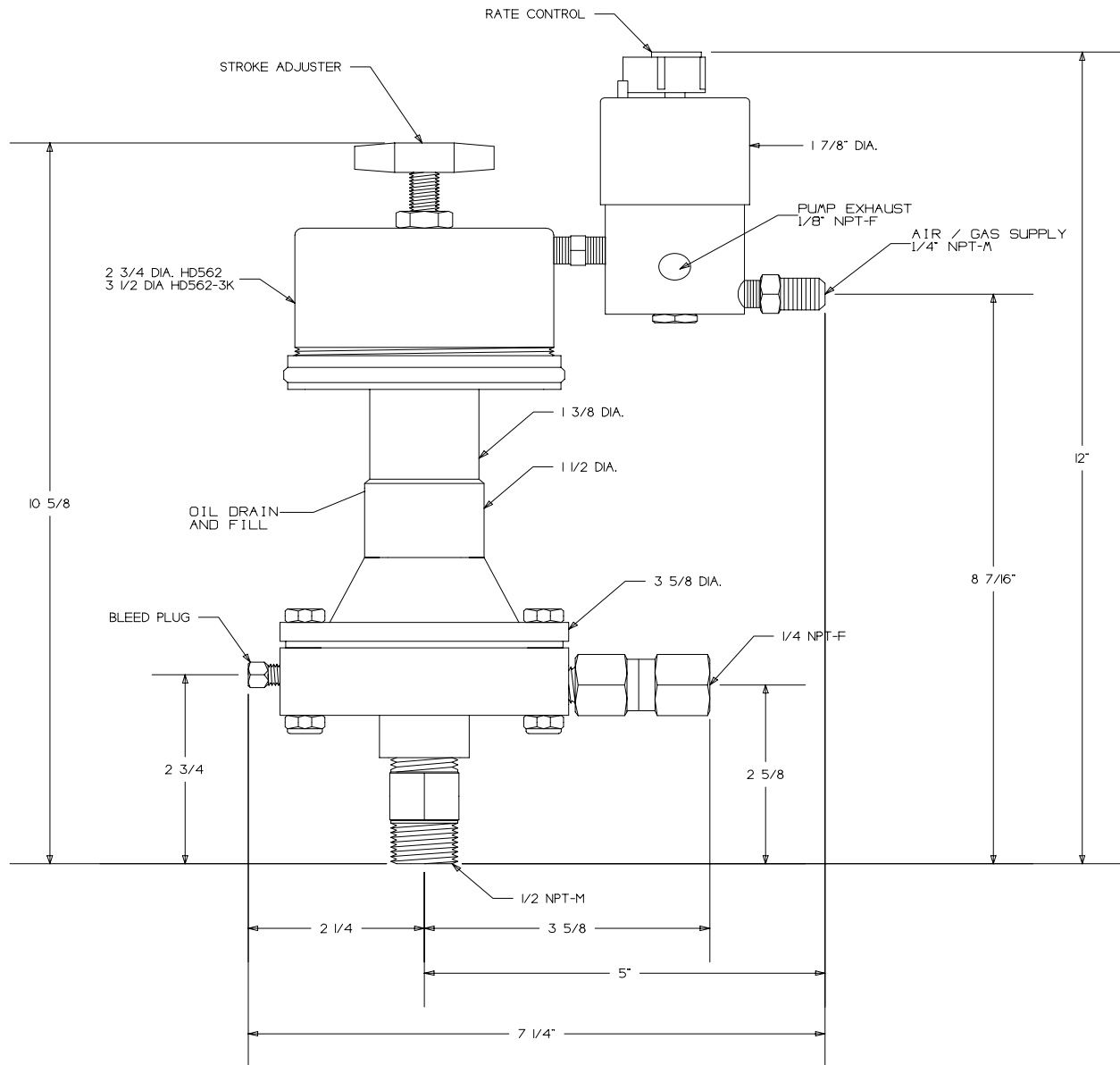


MORGAN PRODUCTS

PNEUMATIC CHEMICAL PUMPS FOR THE GAS AND OIL INDUSTRIES

MODEL HD562 / HD562-3K

AIR ACTUATED HYDRAULIC DIAPHRAGM PUMP



NETWEIGHT:

HD562-TR2 -----9 POUNDS / 4 KILO.

HD562-3K-TR2 -----10 POUNDS / 4.5 KILO.

MAX. SUPPLY PRESSURE 150 PSI / 10.3 BAR

MODEL (WITH TIMER)	DISPLACEMENT	PUMP RATIO	STROKE LENGTH in. - cm.	CONNECTIONS ALL NPT INPUT / OUTPUT	MAXIMUM DISCHARGE PSI - BAR	OUTPUT PER HOUR GAL. / LTS.
HD562-TR2	3.5 cc	10:1	1 - 2.5	1/2 - M / 1/4 - F	1000 - 68.9	.25 - 2.5 / 1 - 9.5
HD562-3K-TR2	3.5 cc	30:1	1 - 2.5	1/2 - M / 1/4 - F	3000 - 207	.25 - 2.5 / 1 - 9.5

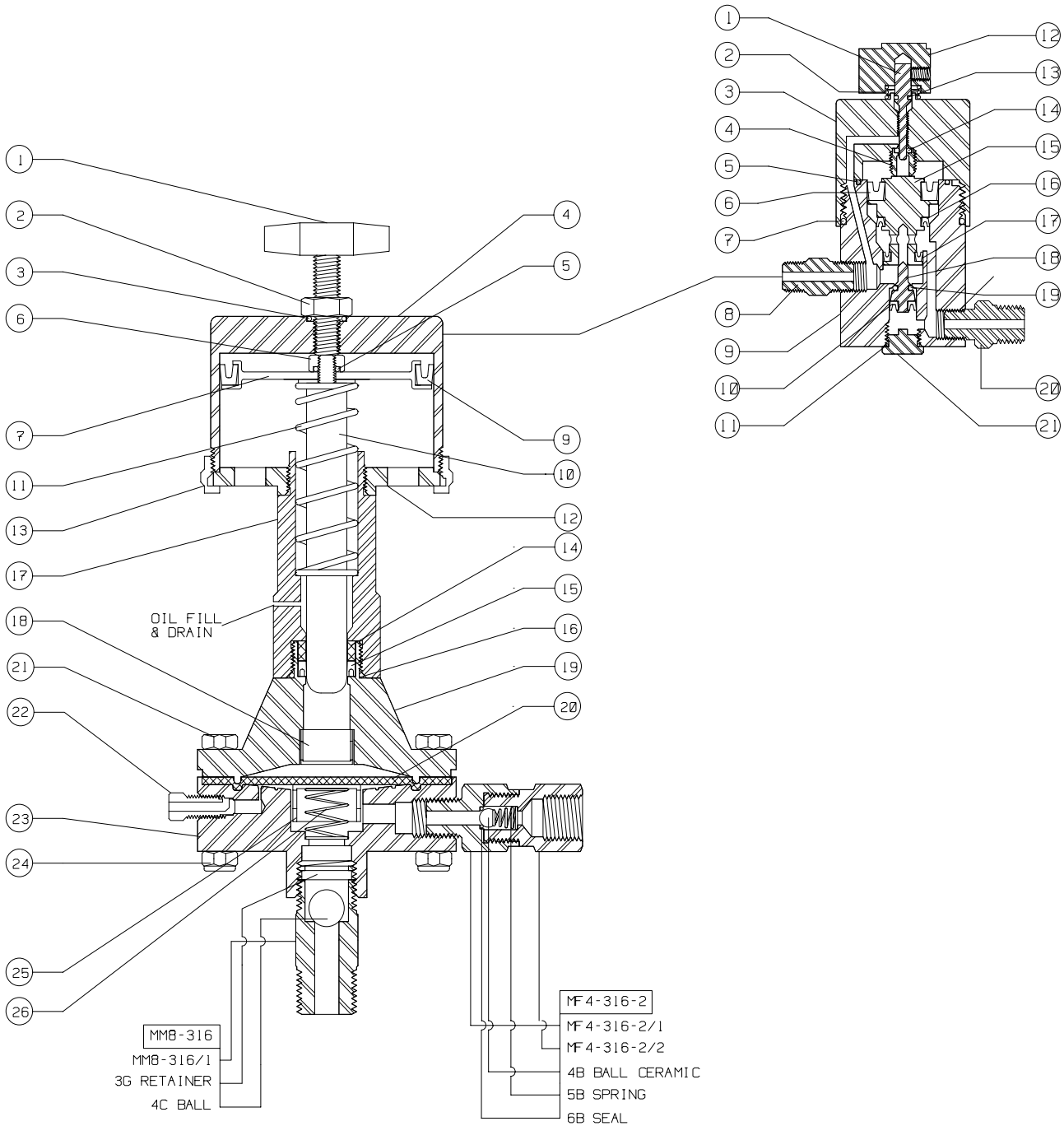
MORGAN PRODUCTS INC. 28103 Ave. Stanford / Valencia, CA 91355

(661) 257-3022 - (800) 421-8910 - FAX (661) 257-3385

Web www.morganproducts.com - E-Mail info@morganproducts.com

HD562 / HD562-3K

TR2



To order check valve parts, use check valve designation & dash number.

EXAMPLE: Ball for MF4-316-2 Order MF4-316-2/4

Keep all rubber goods lubricated with Morgan Products grease or equivalent.

**MODEL HD562/ HD562-3K
PARTS LIST**

NO	NAME	PART NO.	MODEL
1	Stroke Adjuster	HD312-1	ALL
2	Lock Nut	100-2	ALL
3	O-Ring Seal	100-3 *	ALL
4	Air Chambers	200-4	HD562
		300-4	HD562-3K
5	O-Ring Seal	100-11 *	ALL
9	Piston Seals	200-9 *	HD562
		300-9 *	HD562-3K
10	Plunger	HD562-15 *	ALL
11	Return Spring	HD562-13 *	ALL
17	Oiler Housings	HD562-14	ALL
19	Hydraulic Chamber	HD562-29	ALL
18	Spring Cup	HD312-35	ALL
21	Chamber Bolt	D40-PVC-10 (8)	ALL
22	Bleeder	125-22	ALL
23	Pressure Chamber	HD562-23	ALL
25	Spring Cup	HD562-35	ALL
24	Locknut	D40-9 (8)	ALL
26	Diaphragm Spring	HD312-36 *	ALL
6	Piston Locknut	100-7	ALL
7	Pistons	200-8	HD562
		300-8	HD562-3K
13	Air Chamber Rings	200-5	HD562
		300-5	HD562-3K
12	Faceplates	HD562-6	HD562
		HD562-3K-6	HD562-3K
14	Back Up Ring	HD562-19 * +	ALL
15	Pressure Seal	HD562-20 * +	ALL
16	O-Ring Seal	100-21 *	ALL
20	Diaphragm	HD562-32 *	ALL
	1oz. Grease	*	ALL
	1oz. Oil	HD187-24 *	ALL

* = Included in Repair Kit

+ = Included in Seal Set

REPAIR KITS AND SEAL SET

PART NO.	DESCRIPTION	MODEL
HD562-50	REPAIR KIT	HD562
HD562-3K-50	REPAIR KIT	HD562-3K
HD562-48	SEAL SET	ALL
TR2-50	REPAIR KIT	TR2

**MODEL TR2
PARTS LIST**

NO	NAME	PART NO.	MATERIAL
1	Metering Valve	TR2-3	303 SS
2	Knob Spring	TR2-2	302 SS
3	Upper Body	TR2-5	303 SS
4	Metering Seat	TR2-6	18-8 SS
5	O-Ring	TR2-13 *	BUNA-N
6	Upper Seal	TR2-10 *	VITON
7	O-Ring	TR2-14 *	BUNA-N
8	1/8" NPT Nipple	TR2-22	303 SS
9	Lower Body	TR2-8	303 SS
10	Poppet Seal	TR2-17 *	VITON
11	Plug Seal	TR2-18 *	BUNA-N
12	Knob	TR2-1	PLASTIC
13	O-Ring	TR2-4 *	BUNA-N
14	Teflon Seal	TR2-7 *	TEFLON
15	Piston	TR2-9	NYLON
16	Middle Seal	TR2-11 *	VITON
17	Lower Seal	TR2-12 *	VITON
18	Poppet	TR2-15	PVC
19	Poppet O-Ring	TR2-16 *	VITON
20	1/8 x 1/4 NPT Nipple	TR2-21	303 SS
21	Plug	TR2-19	303 SS
	1oz. Grease	*	

* = Included in Repair Kit

MATERIAL SPECIFICATIONS

NAME	STANDARD	OPTION
Piston Seals	Buna - N	Viton
Plunger	17-4 SS	
Return Spring	Teflon Coated Inconel	
Back Up Ring	PVC	
Pressure Seal	Graphite Filled Teflon	
Diaphragm	Teflon Faced Buna-N	
Chamber Bolt	18-8 SS	
Bleeder	316 SS	
Pressure Chamber	316 SS	
Spring Cup	316 SS	
Diaphragm Spring	Inconel	
Check Valve Bodies	316 SS	
Check Valve Seals	Teflon	
Check Valve Balls	Ceramic	
Check Valve Springs	Inconel	
All Other Parts	303 or 304 SS	

**AIR / GAS USAGE
SCF/DAY AT 1 STROKE PER MINUTE**

MODEL	25 psi	50 psi	75 psi	100 psi	125psi	150 psi
HD562	8.9	14.4	19.9	25.5	30.0	36.5
HD562-3K	15.7	25.6	35.4	45.3	55.1	64.9

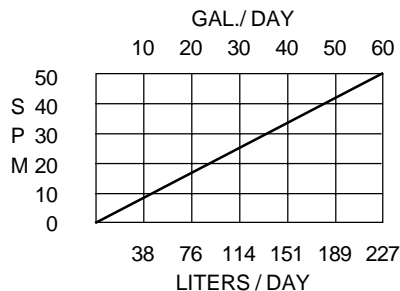
Table constant multiplied by stroke rate = SCFD
 Example: HD562 (operated at 50 psi) Multiply 14.4 by 20 SPM = 288 SCFD

INSTALLATION INSTRUCTIONS

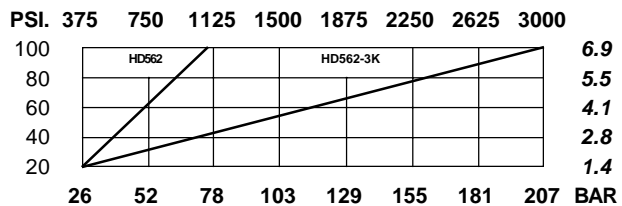
1. Discard all red plastic closures.
2. Connect suction check valve, to a gravity fed chemical source.
3. Connect discharge check valve, to process line.
4. Connect a regulated air or gas supply, to the timing relay.
5. Fill pump with oil provided, oil will flow out of the bleed hole to regulate oil level.
 ** This must be done BEFORE start up.**
6. Open bleeder valve until chemical flows from bleeder.
7. Set regulator at 10 to 15 psi ABOVE the pressure required.
 (See Discharge pressure graph.)
8. Set cycle rate for approximate strokes per minute.
 (See volume graph)

CAUTION: Use only light hydraulic oil.

VOLUME



DISCHARGE PRESSURE



MORGAN PRODUCTS INC. 28103 Ave. Stanford / Valencia, CA 91355

(661) 257-3022 - (800) 421-8910 - FAX (661) 257-3385

Web www.morganproducts.com - E-Mail info@morganproducts.com