



AERZEN®

**one
step
ahead**



**Maximum
VERSATILITY
with
capacities
to 8,500 CFM**

DELTA Packagers BLOWER

Aerzen's Delta Blower

Aerzen develops and continuously refines positive displacement blower packages for a full range of applications. Aerzen blowers (as pictured below) have become a symbol for quality and synonymous with:

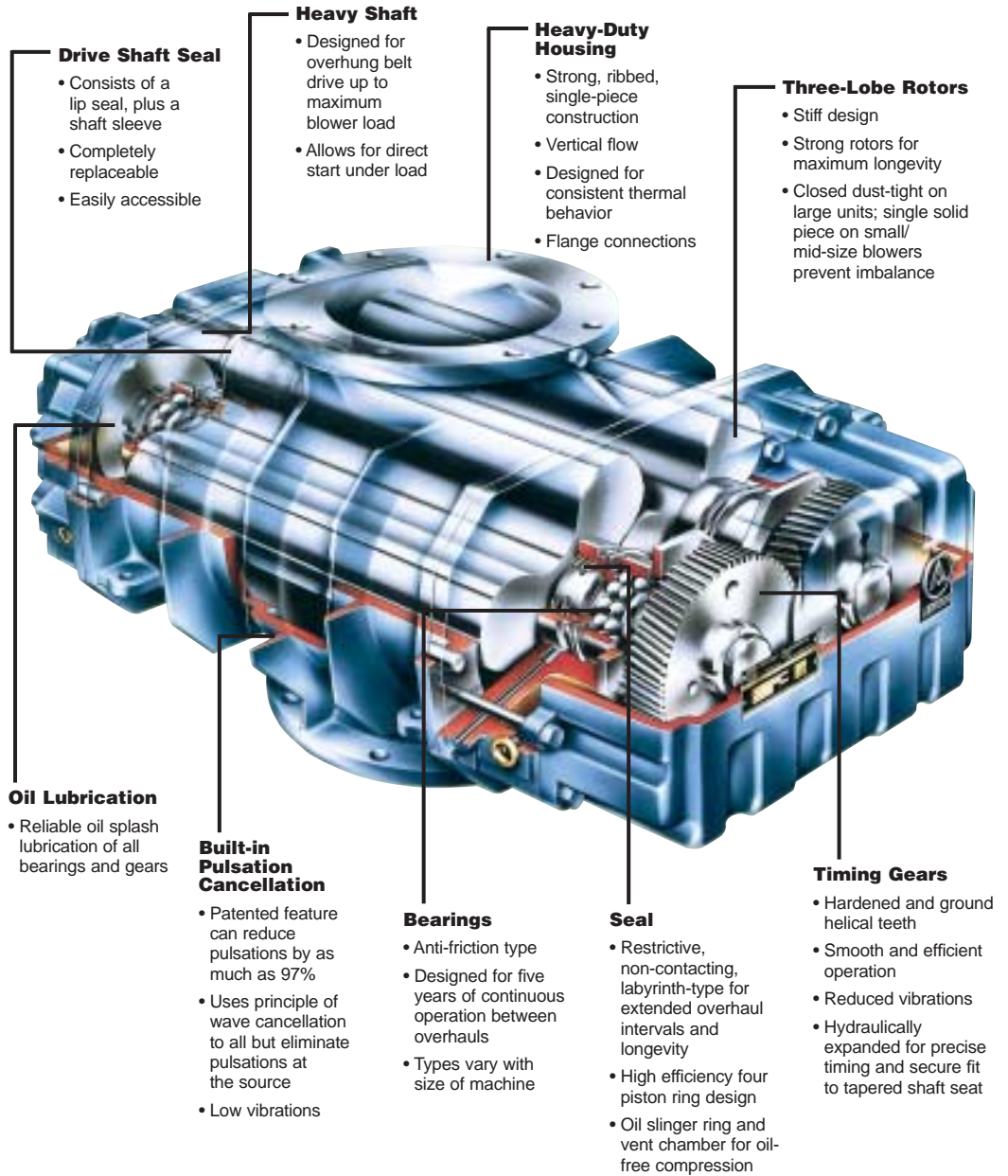
- High Performance
- Long Life
- Modular Designs
- Quiet Operation

The latest Aerzen advancement is the Delta Blower series. Every package we offer is tailored precisely to customer requirements and distinguished by attention to detail. All of this is backed by a complete, nationwide network of service teams to ensure quick response and support.

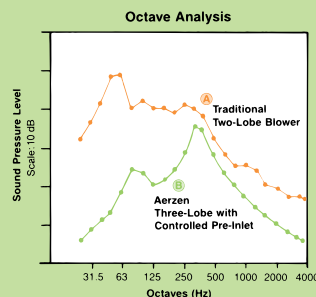
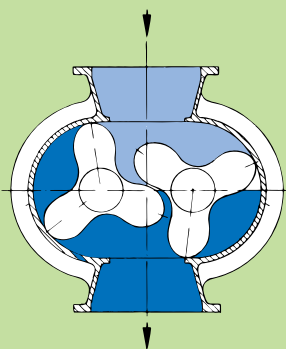
The results:

- Enhanced Quality
- Reliable Performance
- Superior Functionality

The details that set Aerzen Blowers apart.



The silent treatment: patented pulsation cancellation.



The Delta Blower makes a strong statement in its smooth operation. Thanks to a patented pre-inlet control feature, Aerzen can reduce pulsations at the outlet of the blower stage by as much as 97% compared with traditional two-lobe blowers. We use the principle of wave interference to all but eliminate pulsations within the blower. The result is the lowest level of vibration and 20 to 35 dB attenuation at the fundamental frequency downstream.

The accessories that make the difference.

Inlet Filter/Silencer

Washable filter element. Easily removable internal parts. The filter element is downstream of the silencer for cleanliness.

Belt Guard

Designed for easy access to the drive. OSHA standard.

Pressure Safety Valve

Spring-loaded. Specifically designed for low pressure applications. Mounted vertically downstream of the silencer for longevity. *(hidden in photo)*

Aerzen Blower

Instrumentation

Standard filter maintenance indicator and p2 gauge

Discharge Manifold

With integral full bore check valve for low pressure drop. The check valve can be inspected without disconnecting the piping.

Discharge Flexible Connector

Reinforced rubber. Downstream of discharge silencer to reduce transmission of structure-borne noise.

Vibration Isolating Mounts

Rubber-type. Located under the supporting base. No special foundation required.

Hinged Motor Plate

Constant alignment and consistent tension provided by the motor weight. No springs needed.

Reactive Discharge "Aerzen 10" Combi-Mount Silencer

Compact and sturdy design. Machined support surface for blower. Lower vibration. Stiff for installation on vibration isolating mounts. Low pressure drop design. No absorption packing material.



Option:

Micro-processor based controller ASG 200.



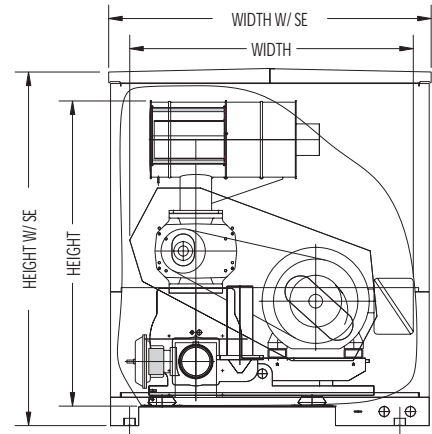
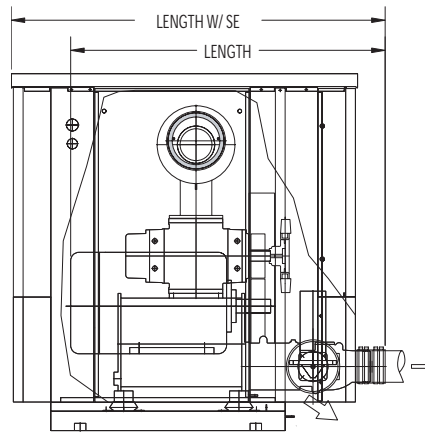
Option: Acoustical enclosure.

Blower	Length		Width		Height		Weight		Discharge Connection
	W/O SE	W/ SE	W/O SE	W/ SE	W/O SE	W/ SE	W/O SE	W/ SE	
GM 3S	27 1/2	31	31 1/2	31 1/2	32 1/2	38 1/2	454	708	2"
GM 4S	46 1/4	56	39 1/4	44 1/4	40	52	465	870	3"
GM 7L	46 1/4	56	39 1/4	44 1/4	40	52	475	880	3"
GM 10S	46 1/4	56	39 1/4	44 1/4	43 1/2	52	530	935	3"
GM 10S	51 1/4	64 1/2	51 1/2	57 1/4	52 1/2	60 1/2	750	1,350	4"
GM 15L	51 1/4	64 1/2	51 1/4	57 1/4	52 1/2	60 1/2	790	1,380	4"
GM 25S	59	70 3/4	52 1/2	57 1/4	52	60 1/2	925	1,520	5"
GM 30L	65 1/4	78 1/4	61	67	62 3/4	75	1,370	2,200	6"
GM 35S	65 1/4	78 1/4	61	67	64 1/4	75	1,520	2,350	6"
GM 50L	65 1/4	78 1/4	61	67	66 3/4	75	1,830	2,660	6"
GM 50L	74	89	67	73	67 3/4	79 1/2	2,350	3,260	8"
GM 60S	81 1/4	89	68 1/4	73	71 3/4	79 1/2	2,560	3,500	8"
GM 80L	85 1/2	105	68 3/4	78 1/2	74 1/2	90 3/4	4,850	5,300	10"
GM 90S	89	105	68 3/4	78 1/2	78 3/4	90 3/4	5,200	5,300	10"
GM 130L	117 1/2	126	91	96 1/2	98 1/2	116 1/2	5,900	9,000	12"
GM 150S	117 1/2	126	91	96 1/2	104 1/2	116 1/2	6,380	10,000	12"

Larger sizes on request.

Notes

1. For informational use only. Dimensions shown are close estimates and are subject to change without notice. Contact Aerzen USA if certified dimensions are required. Dimensions are in inches, weights are in lbs.
2. Weight notes: motor not included.
3. Oversize/overweight motors may require hinge plate support; dimensions and weights may vary. Consult Aerzen USA with specific application.



Cover photo: vacuum package. Similar design available for gases other than air.

Aerzen means trouble-free compression.

Delta Blowers have been in successful operation since the 1990s. They are just one of the offerings in our single stage positive displacement program. Whatever your application and installation requirements are, be sure to consider Aerzen.

Warranty: 2 years from date of shipment standard; 5 years optional.

For Pressure

- Up to 15 psi: Delta Blower packages
- Up to 51 psi: Oil-free and air-cooled VM and VML screw compressors

For Vacuum (Dry)

- Up to 15" Hg: Delta Blower packages
- Up to 25" Hg: Delta Blower packages with pre-inlet cooling
- Up to 25.5" Hg: Oil-free and air-cooled VM screw compressors at same flow (30% more efficient than PD blowers)
- Vacuum boosters to 10⁻³ mbar absolute

For gases other than air, please consult factory.



Aerzen USA
 Highlands Corporate Center
 645 Sands Court
 Coatesville, PA 19320-1709
 Phone: (610) 380-0244
 Fax: (610) 380-0278
 Service Hotline: (800) 444-1692
 www.aerzenusa.com
 E-mail: aerzen@aerzenusa.com
 Atlanta: (770) 951-7035
 Houston: (281) 980-6651

Aerzen Canada
 Phone: (450) 424-3966
 www.aerzen.ca
 E-mail: haerensa@aerzen.ca

Aerzen Mexico
 Phone: (728) 282-5508
 E-mail: ventosa@aerzen.com.mx